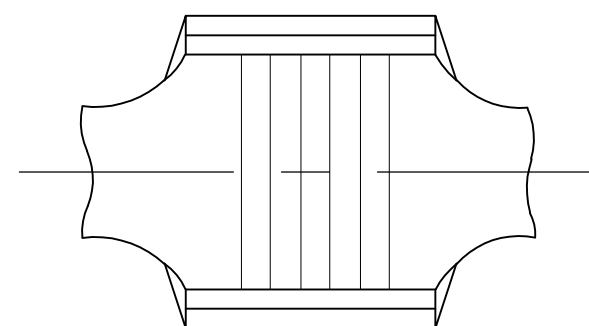
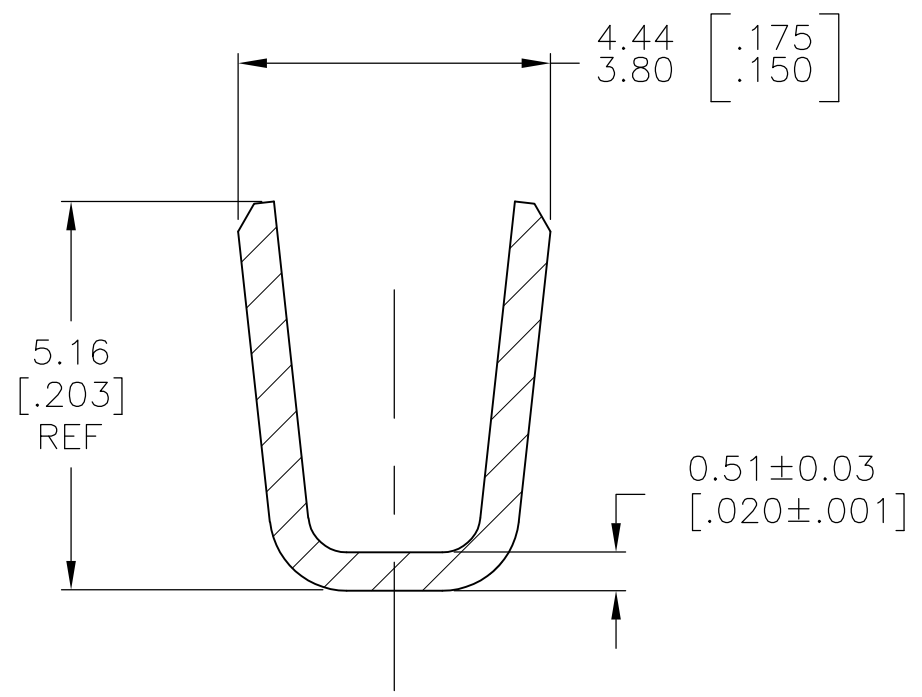
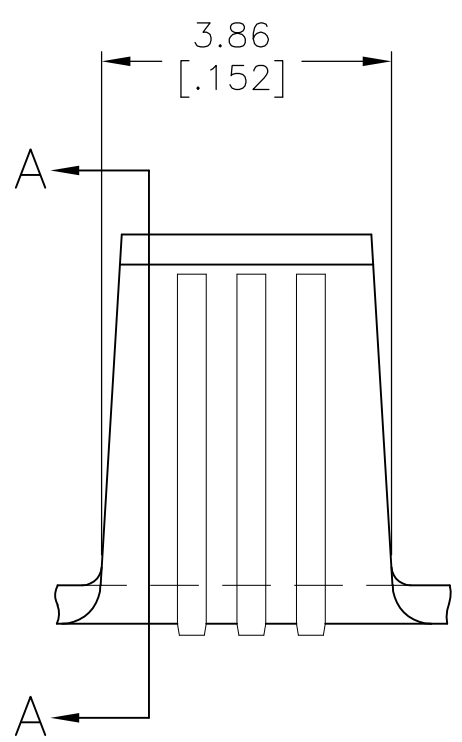


THIS DRAWING IS UNPUBLISHED. RELEASED FOR PUBLICATION  
 © COPYRIGHT BY TYCO ELECTRONICS CORPORATION. ALL RIGHTS RESERVED.

| LOC | DIST | REVISIONS   |                           |         |        |
|-----|------|-------------|---------------------------|---------|--------|
| P   | LTR  | DESCRIPTION | DATE                      | DWN     | APVD   |
| AF  | 50   | P6          | REVISED PER ECR-07-028917 | 04DEC07 | HMR GP |



- 1 PRODUCT PROVIDED IN STRIP FORM ON REELS; BREAKS MAY BE PRESENT.
- 2 WIRE RANGE: 3300 TO 9000 CMA
- 3 CRIMP WIDTH: .140 F TYPE  
 CRIMP HEIGHT  $(\pm 0.002) = (\text{TOTAL CMA} + 14,600) / 223,200$   
 FOR APPLICATOR INFORMATION CALL: 1-800-722-1111  
 FOR PRODUCT INFORMATION CALL: 1-800-522-6752



SECTION A-A

|                 |         |
|-----------------|---------|
| CU-NI-SI C70260 | 40509-1 |
| BRASS C26000    | 40509   |
| MATERIAL        | PART NO |

|  |  |                         |   |           |            |               |        |
|--|--|-------------------------|---|-----------|------------|---------------|--------|
| THIS DRAWING IS A CONTROLLED DOCUMENT. |  | DWN RAGHAVENDRA 21DEC06 | Tyco Electronics Corporation<br>Harrisburg, PA 17105-3608 |           |            |               |        |
| DIMENSIONS:<br>mm [INCHES]             | TOLERANCES UNLESS OTHERWISE SPECIFIED: | CHK G.D.PORTA 04JAN07   | NAME  |           |            |               |        |
|  | 0 PLC ± -                              | APVD G.D.PORTA 04JAN07  | PRODUCT SPEC  |           |            |               |        |
|  | 1 PLC ± -                              | PRODUCT SPEC            | APPLICATION SPEC  |           |            |               |        |
| MATERIAL<br>SEE TABLE                  | FINISH<br>NONE                         | 2 PLC ± -               | SIZE  | CAGE CODE | DRAWING NO | RESTRICTED TO |        |
|  |  | 3 PLC ± 0.25 [.010]     | A3  | 00779     | C-40509    | —             |        |
|  |  | 4 PLC ± -               | CUSTOMER DRAWING  |           | SCALE 10:1 | SHEET 1 OF 1  | REV P6 |
|  |  | ANGLES ± -              |   |           |            |               |        |